

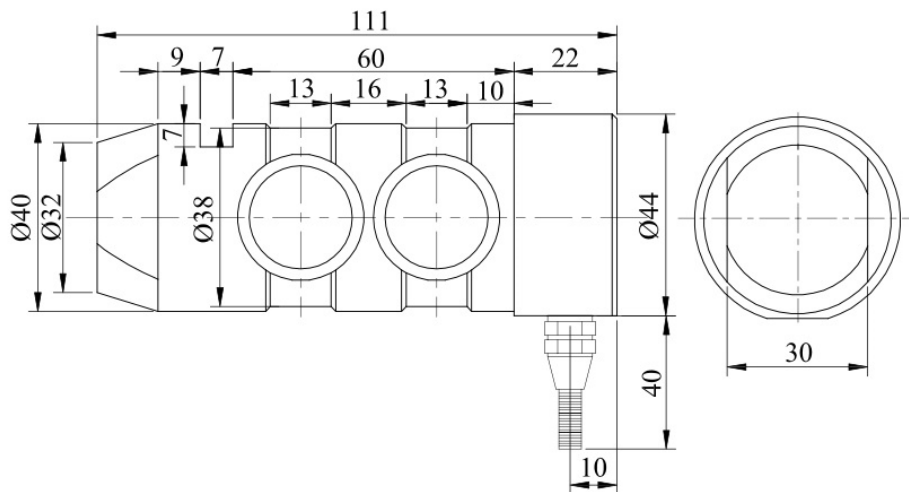
Type BYP 40 is a high performance steel construction pin type loadcell. They can be used in a great number of situations, including the most severe of environments - heavy industry, mining, offshore, subsea and aerospace. They can be incorporated easily and economically into the load path by replacing any existing load bearing pins. Typically they are used in rope sheaves, fairleads, cranes and safe limit applications



Key features;

- Capacities; Between 3 - 5 tons
- Steel construction
- Protection IP67

Dimensions (mm);



Cable Color Codes

+ Excitation	Blue
- Excitation	Black
+ Signal	White
- Signal	Red
Shield	Yellow

Technical specifications;

Rated capacities	ton	1,2,3,4,5
Output sensitivity	RO	mV/V
Total error	% F.S.	± 0.5
Creep error (30 min)	% F.S.	± 0.05
Temperature effect on zero	% F.S./10°C	± 0.05
Temperature effect on sensitivity	% F.S./10°C	± 0.05
Safe load limit / Over load limit	% E_{max}	120 / 150
Zero balance	% RO	< ± 1.0
Excitation ,recommended	V	10 - 12
Excitation , maximum	V	15
Input resistance	Ω	720 ± 10
Output resistance	Ω	702 ± 5
Insulation impedance	M Ω	≥ 5000 (50 VDC)
Temperature range , compensated	°C	- 10 ... + 40
Temperature range , operating	°C	- 30 ... + 70
Material		Alloy Steel
Protection class		IP67